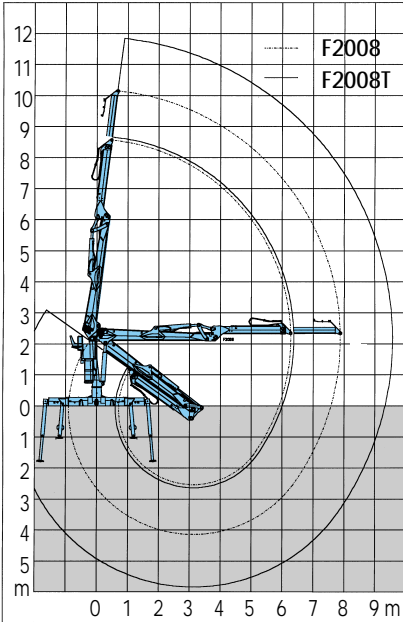
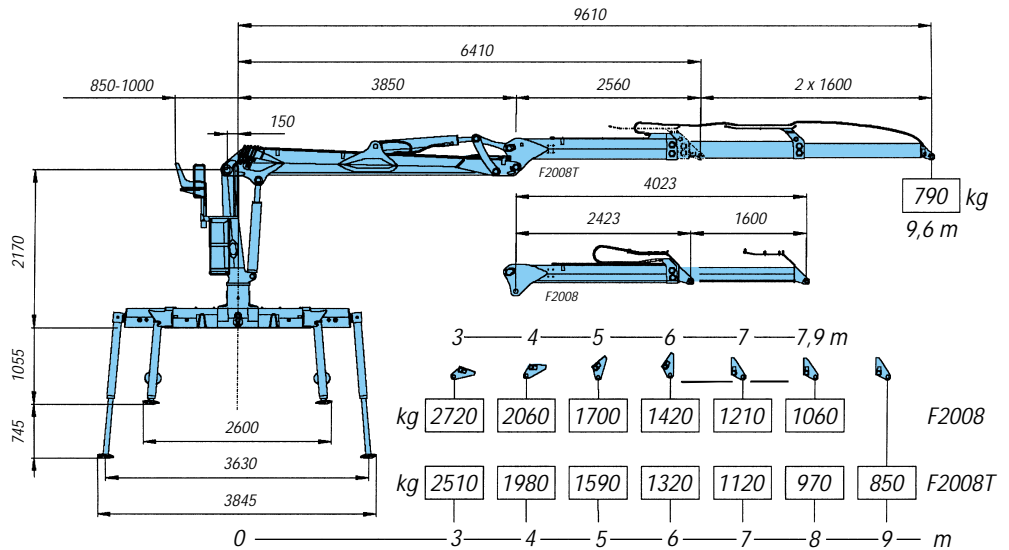


FORESTERI 2008/2008T

OUTREACH DIAGRAM

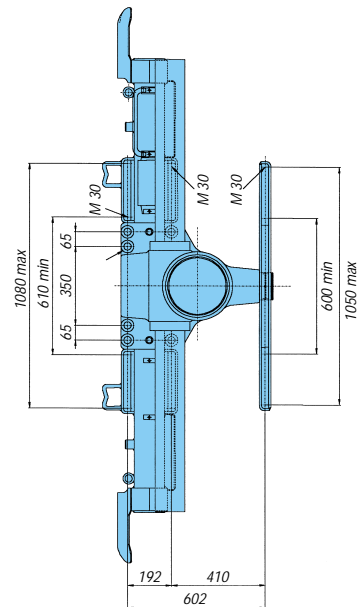


ALLOWED LOADS



| TECHNICAL SPECIFICATIONS | | | F2008 | F2008T |
|--|---|------------------|------------------------|---------------------|
| FORESTERI 2008/2008T | | | | |
| Lifting capacity | gross | kNm (tm) lbft | 107 (10,9) 79000 | |
| | net | kNm (tm) lbft | 83 (8,5) 61400 | 77 (7,8) 56400 |
| Outreach | | m ft | 7,9 25'11" | 9,6 31'6" |
| Stroke of boom extension | | m ft | 1,6 5'3" | 2 x 1,6 2 x 5'3" |
| Slewing torque | | kNm lbft | 18,6 13700 | |
| Slewing angle | | ° | 415 | |
| Lifting capacity at 4 m radius 10 ft radius | | kg lbs | 2060 6000 | 1980 5530 |
| | Weight without oil, grapple and rotator | kg lbs | 1690 3720 | 1810 3990 |
| Pump recommendation | | MPa (bar) | 24 (240) 3410 | |
| - flow | single pump | l/min gpm | 70-90 15-20 | |
| | double pump | l/min gpm | 2 x 60-80 2 x 13-18 | |
| - power input | single pump | kW (hp) | 27-35 (37-48) | |
| | double pump | kW (hp) | 45-60 (61-82) | |

BASE DRAWING



All details are subject to change without notice. Listed values without obligation. Loaders illustrated with options.

MANUFACTURED BY:

KESLA OYJ

P.O. BOX 282
FIN-80101 JOENSUU, FINLAND
Tel. +358-13-682 841
Fax +358-13-682 8300
www.kesla.com

DISTRIBUTED BY:

SALES AND SERVICE:

FORESTERI

2008/2008T

TIMBER TRUCK LOADER

